



FIBREX INDUSTRIAL BOARD

FBX 1240, 1260, 1280 and 1210CR - METAL ROOF INSULATION

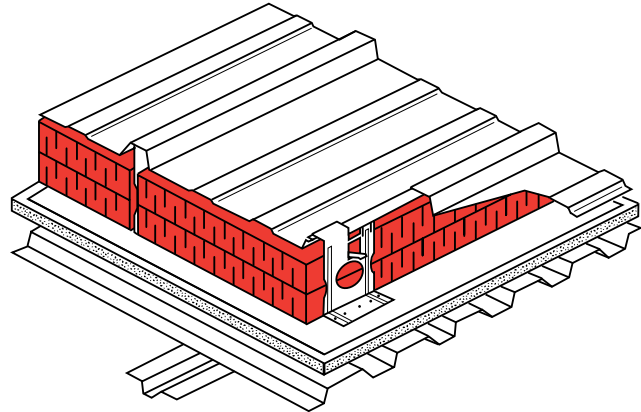
PRODUCT NAME

FIBREX INDUSTRIAL BOARD
FBX 1240, 1260, 1280 and 1210CR

** Meets VICWEST load cycling and compressive strength requirements as tested (Ortech 94)*

MANUFACTURER

Fibrex Insulations Inc.
561 Scott Road
Sarnia, Ontario N7T 7L4
Phone: 1-800-265-7514
Fax: 1-800-363-4440



PRODUCT DESCRIPTION

Fibrex industrial board FBX 1240, 1260, 1280 and 1210CR provides thermal performance, fire resistance, acoustical properties, and solid compressive strength values to support popular metal roof systems. It is manufactured from basaltic rock with a melting point of 2000°F (1093°C). The fibres are bonded and formed into rigid boards that provide superior handling, easy fabrication and solid application capabilities.

PRODUCT INFORMATION

Complies with CAN/ULC S702 (formerly CAN/CSA A101M) as tested

STANDARD SIZES	24" x 48" (610mm x 1220mm)
	*Non-standard sizes available
STANDARD THICKNESSES	1" - 6" (1/2" increments) (25mm - 152mm)
MOISTURE ADSORPTION	less than 0.1% by volume
SURFACE BURNING CHARACTERISTICS (ULC S102) (E-84)	Flame Spread 5 Smoke Developed 0
NON-CORROSIVE	will not contribute or cause corrosion (ASTM C692, C795, C871)

SPECIFICATION COMPLIANCE

Formerly CAN/CGSB 51-10-92
ASTM C612
NON COMBUSTIBLE ULC S114 (E136)
DEFENCE CANADA CMB SCHEDULE 07212-03
ORTECH: COMPRESSION CYCLING AND LONG TERM CYCLING TEST
USING FBX 1240
FBX 1260
FBX 1280
FBX 1210CR

THERMAL PERFORMANCE (ASTM C518)

1240		
THICKNESS	R VALUE	RSI
1"	4.2	.74
1.5"	6.3	1.11
2"	8.4	1.47
2.5"	10.5	1.84
3"	12.6	2.21
3.5"	14.7	2.57
4"	16.8	2.95
1260, 1280, 1210CR		
1"	4.35	.76
1.5"	6.52	1.15
2"	8.70	1.53
2.5"	10.90	1.91
3"	13.05	2.29
3.5"	15.22	2.67
4"	17.40	3.06



561 SCOTT ROAD, SARNIA, ONTARIO CANADA N7T 7L4
<http://www.fibrex.on.ca>

CUSTOMER SERVICE: 1-800-265-7514 1-519-336-7770 FAX: 1-800-363-4440
Technical Information: Please ask for the name of your area representative.